




ASSEMBLY INSTRUCTION

Product Name: ELODY BED - KING

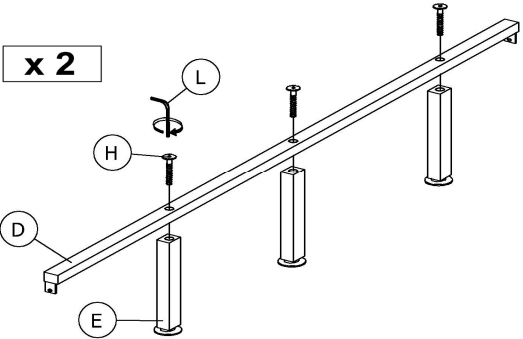
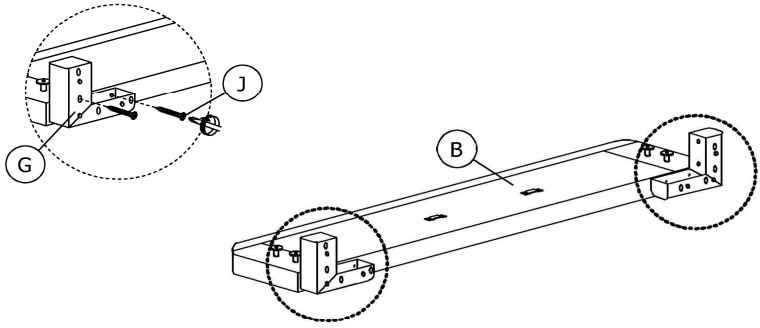
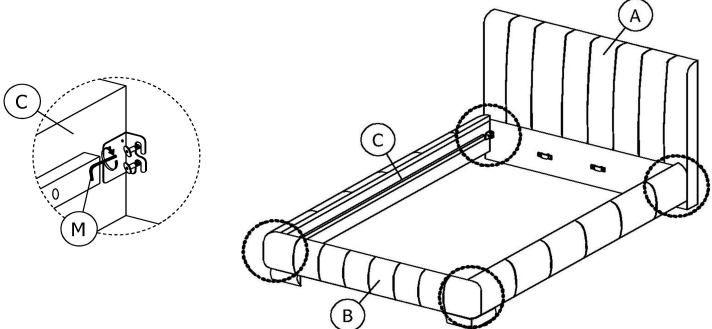
PARTS LIST

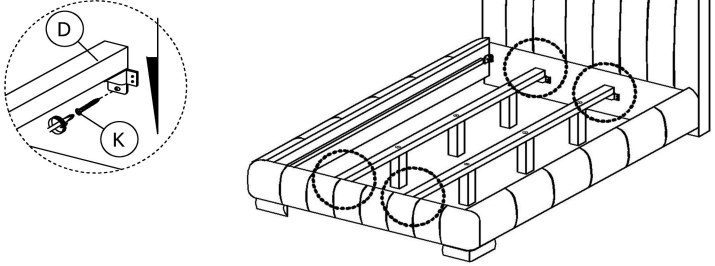
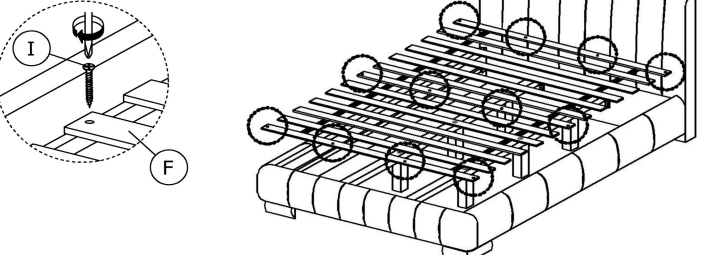
Before you begin, please layout all parts and ensure you have the correct count.

PARTS	DESCRIPTION	QUANTITY	ILLUSTRATION
A	Headboard	1	
B	Footboard	1	
C	Siderail	2	
D	Center Rail	2	
E	Center Support Leg	6	
F	Slats	1	
G	Bed Leg	2	
H	JCBC Bolt M6 x 60mm	6	
I	CSK Screw M4 x 38mm	12	
J	CSK Screw M4 x 45mm	4	

K	CSK Screw M4 x 20mm	4	
L	Allen Key M4	1	
M	Allen Key M5	1	

ASSEMBLY INSTRUCTIONS

STEPS	DESCRIPTION	ILLUSTRATION
1	<p>Attach Center Support Legs(E) to the bottom of Center Rail(D) using Bolts(H) with Allen Key M4(L). Fully tighten the Bolts.</p>	
2	<p>Attach Bed Leg(G) to Footboard(B) using Screw(J) with Screwdriver (not provided) to tight it.</p>	
3	<p>Use the Allen Key M5(M) to turn loose all the Bolt prefix at Headboard(A) and Footboard(B), but do not pull out. Then attach the Side Rails(C) to Headboard(A) and Footboard(B) by sliding the Brackets onto the Bolts then tightening with Allen Key M5(M).</p>	

4	<p>Attach Center Rail(D) to Headboard(A) and Footboard(B).Then using Screws(K) with Screwdriver (not provided) to tight it.</p>	
5	<p>Attach Slats(F) to Side Rails using Screws(I) with Screwdriver (not provided) to tight it. Assembly Completed.</p>	

ASSEMBLY TIPS:

Please check parts and hardware before assembling. Follow each instruction step by step.
 Place a protective pad or piece of cardboard on the floor while assembling your item on top of it.
 Remove all parts from the carton and separate them into part numbers/groups as indicated on the part list.
 Please follow instructions in the sequence as numbered to assure fast/easy assembly.

WARNING:

Don't attempt to repair or modify parts that are broken or defective - if you find a broken part contact your retailer for replacement.
 Keep all hardware parts out of the reach of children.

FURNITURE CARE:

Following these few basic steps will help to ensure that you enjoy your furniture for a long time:
 Do not expose your furniture to direct sunlight, dampness or any heat, like a hot cup of coffee or tea. Always use a coaster.
 Excessive exposure to sunlight may cause fading.
 Excessive temperature and humidity or cold may cause cracking or splitting.
 Dust with a clean, damp, lint free cloth.
 Use a damp cloth with water or mild detergent to clean all surfaces - do not use chemicals or paint thinner which will fade the surface.
 Place a piece of felt or a pad under the legs of your furniture to avoid scratching the floor.